

OUTPOST™

Wireless Callbox Basic Owner's Manual



- TRAILS
- MARINAS
- SCHOOLS
- HOSPITALS
- CAMPUSES
- ROADSIDES
- PUBLIC PARKS
- PLAYGROUNDS
- CAMPGROUNDS
- GOLF COURSES
- HOTELS/ MOTELS
- PUBLIC BEACHES
- SHOPPING MALLS
- AMUSEMENT PARKS
- PARKING FACILITIES
- UNATTENDED GATES

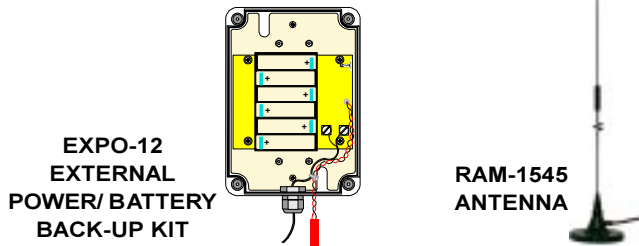
WHAT THIS MANUAL COVERS

This manual (Ritron Item: RQX-150/450/446/454), covers programming, operation and installation of the OUTPOST 2-Way Callbox.

ACCESSORIES

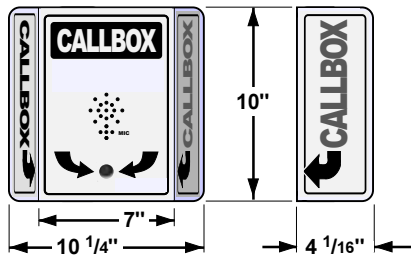
These replacement and optional items are available from Ritron and its authorized dealers.

Item	Description
AFB-1545	Standard 16 in. Flexible Whip Antenna
EXPO-12	External Power 12VDC Input/ Battery Back-Up Kit
RAM-1545	Magnetic-Mount Antenna w/ 20 ft. of Cable and a BNC Connector
14280012	Standard Instruction Nameplate



DIMENSIONS

- The OUTPOST dimensions, including the Battery Housing and Antenna Connector are: 7 11/16" H x 5" W x 4" D.
- The OUTPOST dimensions, including EXPO-12, Strain Relief and Antenna Connector are: 8 7/16" H x 5" W x 4" D.
- The OUTPOST Placard dimensions are shown below:



WARNING

IMPORTANT SAFETY INFORMATION

NOTICE: The Outpost is not intended for communicating information to protect life or property, and must not be used for these purposes.

To reduce the risk of fire, electric shock or personal injury, follow these basic safety instructions when using this unit:

- Read and follow all instructions.
- Use only alkaline D-cell batteries.
- During thunderstorms, avoid contact with this unit and any external antenna system or wiring.

Page ii

TABLE OF CONTENTS

DESCRIPTION	PAGE
WHAT THIS MANUAL COVERS	ii
ACCESSORIES	ii
DIMENSIONS	ii
WARNINGS	ii
ABOUT THE OUTPOST WIRELESS CALLBOX	1
General Information	1
OUTPOST Models and Frequencies	1
Model Identification	1
OPERATION NOTES	2
INTERCOM (ALWAYS ON) FEATURE	2
OPERATING THE OUTPOST	2
To Initiate a Call	2
To Receive a Response	2
IDENTIFICATION OF CONTROLS & CONNECTORS	3
INSTALLING BATTERIES INTO THE OUTPOST	4
BATTERY LIFE	4
PROGRAMMING THE OUTPOST (RQX-150/450 ONLY)	5
To Place the OUTPOST into Programming Mode	5
To Program a Frequency and QC Tone	5
PC PROGRAMMING THE OUTPOST (RQX-150/450/454)	6
OPERATION NOTES	5
INSTALLING THE OUTPOST	7
To Mount the OUTPOST	7
Coverage	7
EXPO-12 EXTERNAL POWER 12 VDC INPUT/ BATTERY BACKUP KIT (OPTIONAL)	8
Back-Up Battery Installation	8
SEALING THE ANTENNA	9
Applying seal tape	9
DEALER NOTES (BLANK) PAGE	10
F.C.C. LICENSING AND REGULATIONS	11
RITRON LIMITED WARRANTY	11
COMPATIBLE PRODUCTS	12
CARE AND MAINTENANCE	14
Moisture	14
Temperature	14
Vibrations/ Shock	14
Chemicals	14

FIGURES

DESCRIPTION	PAGE
1: OUTPOST FRONT HOUSING CONTROLS & CONNECTORS	3
2: BACK HALF OF HOUSING, SHOWING CELL POLARITY	4
3: INSTALLING THE OUTPOST	7
4: INTERNAL VIEW OF EXPO-12	8

TABLES

DESCRIPTION	PAGE
1: FREQUENCY CODES	5
2: QUIET CALL TONE CODES	6

ABOUT THE OUTPOST WIRELESS CALLBOX

General Information

The OUTPOST Callbox is a 2-way radio transceiver for communicating with portable, mobile and stationary radios, or through radio repeaters.

The OUTPOST can be easily programmed to operate on either an existing or a new radio frequency with or without Quiet Call (CTCSS sub-audible coded squelch). This enables all your radio-equipped personnel to respond immediately to transmissions from the OUTPOST Callbox.

The OUTPOST is housed in a weather-resistant enclosure, so it can be installed in a wide variety of indoor or outdoor locations. Because its six D-cell Alkaline batteries power the unit for about one year (depending on temperatures and amount of use), the OUTPOST does not require AC line power.

An optional External Power 12VDC Input/ Battery Backup Kit (EXPO-12) is available. See Page 8.

OUTPOST Models and Frequencies

Four OUTPOST models are available, as indicated below: one for VHF Conventional radio systems, one for UHF Conventional radio systems, and two for UHF Conventional or Trunking radio systems.

DO NOT drill or penetrate the internal RF electronics enclosure with any additional holes. Use only the pre-drilled mounting holes.

Model Identification

<u>Model</u>	<u>Band</u>	<u>Frequency Range</u>	<u>Signalling Formats</u>
RQX-150*	VHF-FM	150–155 MHz Std., 155–160 MHz Opt.	CTCSS
RQX-450*	UHF-FM	460–470 MHz Std., 450–460 MHz Opt.	CTCSS
RQX-446***	UHF-FM	460-470 MHz, Wide or Narrow Band TX, 460 MHz Opt.	CTCSS/ DCS (1stQ 2002)
RQX-454**	UHF-FM	450–470 MHz, Wide or Narrow Band TX	CTCSS/ DCS/ DTMF ANI/LTR, Passport
RQX-454-NP**	UHF-FM	450–470 MHz Narrowband	CTCSS/ DCS/ DTMF ANI/LTR, Passport

- * The RQX–150/ –450 models are PTT-programmable to specific tones and channel frequencies. They are also PC-programmable to any frequency channel within the radio's band, using the RPT–PCPK–3.0R20 or higher PC Software.
- ** The RQX–454 model is PC-programmable ONLY and requires the RPT–PCPK–8.1R12 or higher PC Software.
- *** The RQX-446 is PTT-programmable and/or PC-programmable. Software is not available at time of printing. Call Ritron for details.

The OUTPOST model number appears on a label on the front bottom half of the RF enclosure.

Ritron designs, manufactures, and supplies reliable, professional wireless communication products for users worldwide. Ritron wireless products will improve the operation, safety, and profitability of any organization. Ritron offers a full line of mobile, portable, and base station two-way radios and repeaters for use with the OUTPOST Callbox. Refer to pages 12 and 13.

Refer to page 5 for instructions on matching the OUTPOST operating frequency to that of an existing two-way radio system.

OPERATING THE OUTPOST CALLBOX

NOTE: The OUTPOST will not receive a call until a call has been initiated by the OUTPOST.
THE OUTPOST AUTOMATICALLY SHUTS OFF WHENEVER THERE IS INACTIVITY FOR TEN (10) SECONDS.

To Initiate a Call:

Press and hold the ON/PTT Button on the unit, listen for the “beep,” and begin speaking into the MIC. For best communication, speak as closely as possible into the microphone. The OUTPOST is designed so you will be heard clearly when you speak, while pressing the ON/PTT Button, at a distance of up to 3 feet from the microphone.

To Receive a Response:

1. When you have finished speaking, release the ON/PTT Button.
2. Any reply to you will be heard through the OUTPOST speaker. If a reply is not received within 10 seconds of releasing the ON/PTT Button, the unit sounds a low double tone and shuts off automatically.

To call again, press and hold the ON/ PTT Button and begin speaking after the “beep.”

OPERATION NOTES

- The OUTPOST must be powered with Alkaline batteries ONLY—or alternately, with the optional External Power 12VDC Input/ Battery Backup Kit (EXPO-12).
- If there has been no activity for 10 seconds—i.e., either the ON/PTT Button has not been pressed/ released within 10 seconds, or no reply has been heard within 10 seconds—the unit automatically shuts OFF. The automatic shut-off feature is designed to increase battery life.

INTERCOM (Always-On) FEATURE FOR THE RQX-454/454-N

The RQX-454/454-N can be programmed to operate as a two-way intercom. When this feature is activated the automatic shut-off is disabled and the callbox will remain on in “standby” mode allowing it to receive a call from another radio at any time. Since the radio is under constant current drain “always on in the standby mode”, it would make the use of batteries impractical. When using this feature, it is recommended that the optional EXPO-12 external power kit be used.

To Enable the Intercom Feature: The Intercom Mode can only be enabled using the PC

Programmer (PC Programming Software RPT-PCPK-8.0R12).

1. Refer to the **PC PROGRAMMING THE OUTPOST** section to program the RQX-454/454-N.
2. Once the radios' information has been “Read”, select **EDIT**, select **TUNE RADIO**, select **MISC**, select **Power Saver**, select **TUNE**, set “Power Saver Off Time” to “0” (zero), select **SAVE**, select **EXIT**, and then remove power from the radio and disconnect the programming cable. The RQX-454/454-N is now set for Intercom Mode.

IDENTIFICATION OF CONTROLS AND CONNECTIONS

Refer to FIG-1.

1. ANTENNA CONNECTOR

The antenna radiates radio signals. Before using the OUTPOST, make sure the antenna is securely fastened into the connector. **If the OUTPOST is to be used outdoors, see page 6 for instructions on properly sealing the antenna connector.**

2. PROGRAM BUTTON (RQX-150/450/446)

This button is used to enter frequency and Quiet Call code information.

3. OFF BUTTON (RQX-150/450/446)

This button is used to turn the OUTPOST OFF when programming is complete.

4. PROGRAM SAVE BUTTON (RQX-150/450/446)

This button is used to save the programmed information.

5. PROGRAM ENABLE BUTTON (RQX-150/450/446)

Pressing this button when the unit is ON puts the OUTPOST into Programming Mode.

NOTE: Model RQX-454 must be programmed by a RITRON Dealer.

6. SPEAKER

After a message has been sent from the OUTPOST, any reply from another radio may be heard through the speaker.

7. MICROPHONE ("MIC")

For best communication, speak as closely as possible into the microphone. The OUTPOST is designed so you will be heard clearly when you speak, while pressing the ON/PTT Button, at a distance of up to 3 feet from the microphone.

8. ON/ PTT BUTTON

The OUTPOST is OFF until the user turns it ON by pressing and holding the ON/PTT Button. The unit sounds an audible "beep" to confirm it is ready for a message; when the user is finished speaking, he releases the button to wait for a reply. If there is no reply within 10 seconds, the unit sounds an audible "beep" and automatically shuts OFF.

9. IN-LINE BATTERY CONNECTOR

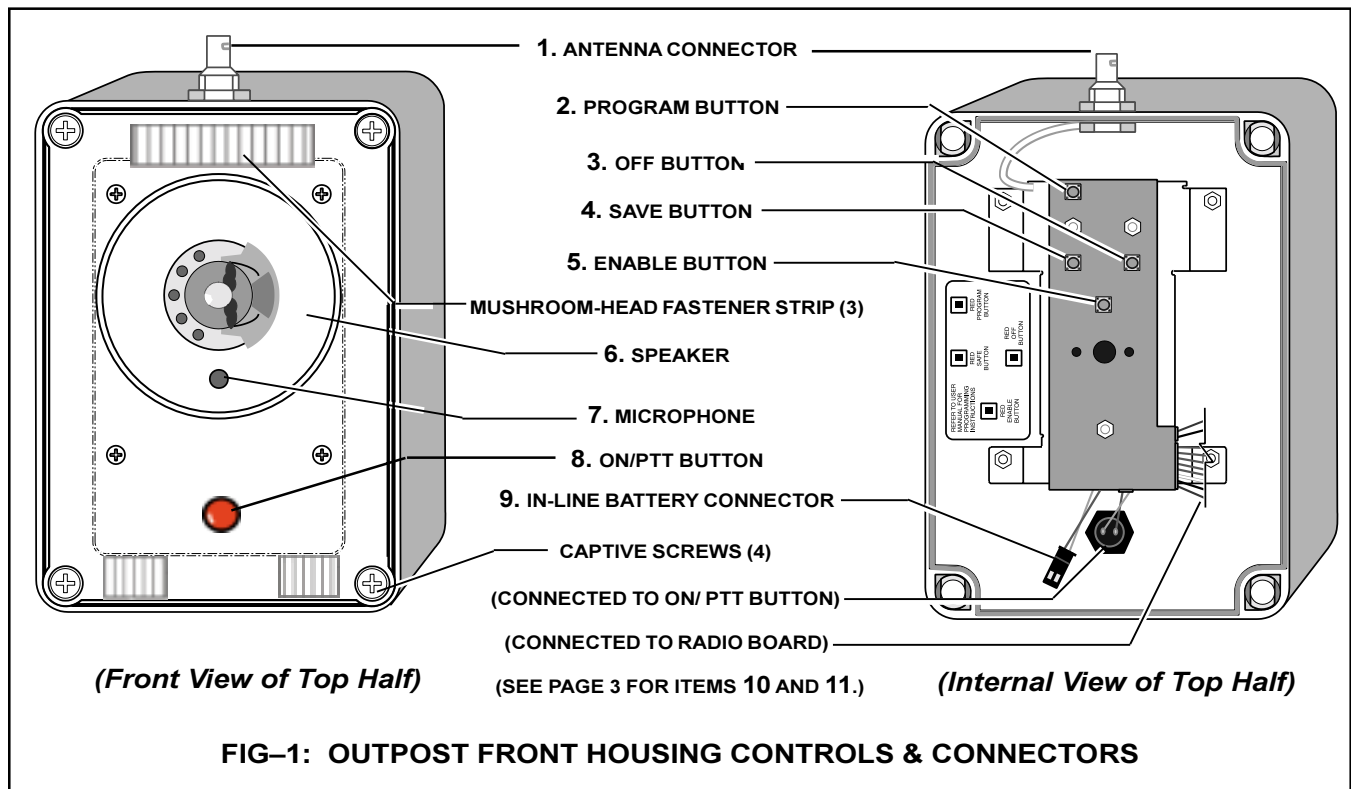
The in-line battery connector connects the radio to the Battery.

10. MOUNTING HOLES

Mounting holes accommodate #6 panhead screws to securely mount the unit to a variety of surfaces.

11. BATTERY HOLDER

The rugged battery holder securely holds six (6) D-cell batteries in place.



INSTALLING BATTERIES INTO THE OUTPOST

Refer to FIG-2.

1. Loosen the four (4) plastic screws at the corners of the front half of the housing. These screws are captive to the housing; to prevent damaging them, **DO NOT** remove them.
2. Disconnect the in-line connector between the Front and the back halves of the enclosure.
3. Note the positive and negative polarities ("+" and "-") of each cell. Press six Alkaline D-cells into proper position.
NOTE: When all batteries are in place, confirm that the RED wire contacts the positive (+) pole of the first battery, and the BLACK wire contacts the negative (-) pole of the last battery, as shown in FIG-2.
4. Reconnect the in-line connector between the Front and the back halves of the RF enclosure.

DO NOT pinch gasket, overtighten, cross-thread, strip, or remove captive screws. Failure to heed this warning will prevent proper sealing of the RF enclosure and will result in voiding Manufacturers Warranty.

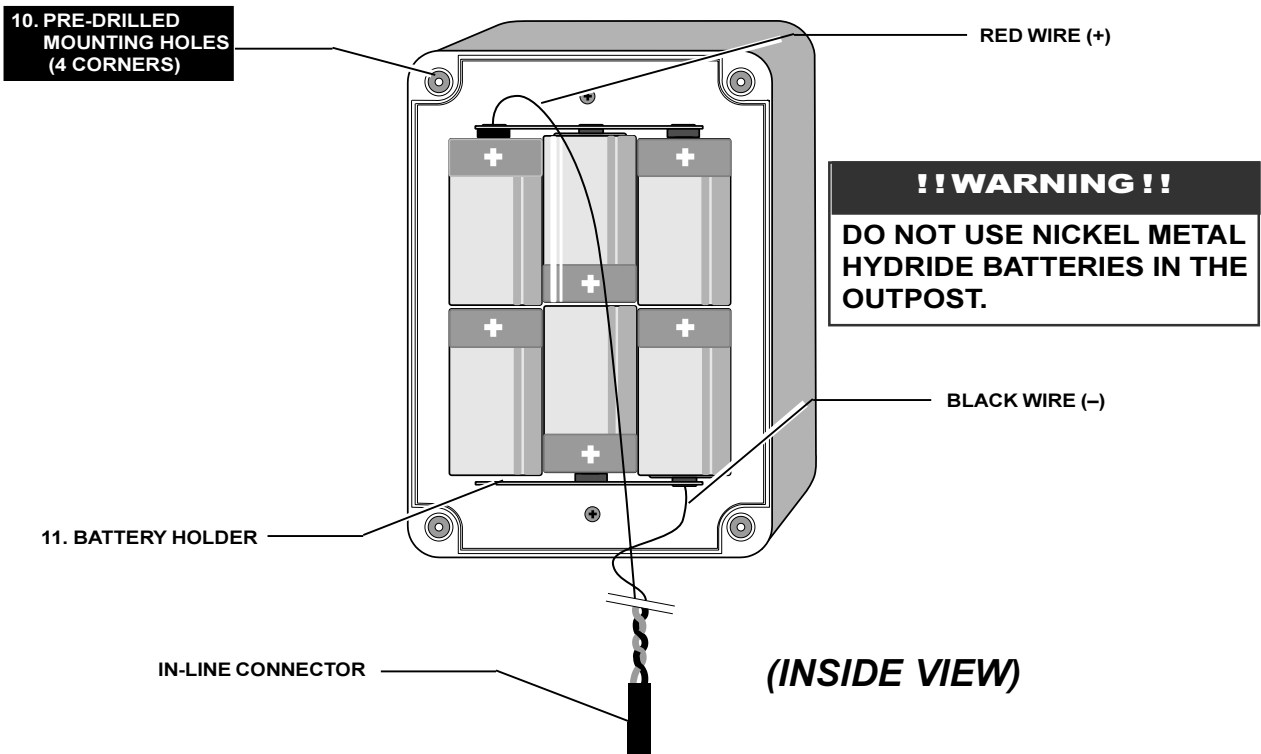


FIG-2: BACK HALF OF HOUSING, SHOWING CELL POLARITY

BATTERY LIFE

- Use non-rechargeable Alkaline D-cell batteries for maximum battery life.
- The OUTPOST should operate for one (1) year on a set of Alkaline batteries, depending upon usage.
- Cooler temperatures degrade battery life. Exposure to 10° C (50° F) will reduce battery life to 90% of normal. Exposure to -20° C (-4° F) will reduce battery life to 35% of normal.

HOW TO PTT PROGRAM THE OUTPOST (MODELS RQX-150/450/446 ONLY)

NOTES: Refer to Table 1 (Frequency Codes) and Table 2 (QC Tone Codes) when programming the OUTPOST.

For **PROGRAMMING BUTTON** locations, refer to the Internal View of the Front of the RF housing in FIG-1, page 3.

To place the OUTPOST into Programming Mode:

- Loosen the (4) captive screws in the corners of the unit. These screws are captive to the housing; to prevent damaging them, DO NOT remove the screws from the RF housing.
- Make sure the unit has batteries installed.
NOTE: The voltage of the batteries must be greater than 6 VDC to program properly.
- Press and release the ON/PTT Button on the front of the unit.
- Press and release the **PROGRAM ENABLE BUTTON**. An audible "beep" will sound to confirm the unit is in programming mode.

To read out (beep out) Radio Channel content:

- Press and release the **Program Save Button**. The radio will begin to sound a series of beeps; each series of beeps is equal to one digit of each 2-digit frequency code or Quiet Call Code (see chart below) that is programmed into the radio. See Tables 1 and 2 on this page.
- After the beeps are completed, a triple tone will sound.

To Program Frequency and QC Tone Codes:

- Choose a frequency code (Table 1) and, if desired, a QC tone code (Table 2). If you are not using a QC tone, program "44" (No Tone) for the QC code.
- Enter the codes in the sequence shown below by clicking the **PROGRAM BUTTON** the number of times equal to each digit of the codes.

EXAMPLE: Frequency Code 02, Tone Code 44

- Click the **PROGRAM BUTTON** *ten times to program "0"*, pause; the unit sounds a "beep."
- Click the **PROGRAM BUTTON** *two times to program "2"*, pause; the unit sounds a "beep."
- Click the **PROGRAM BUTTON** *four times to program "4"*, pause; the unit sounds a "beep."
- Click the **PROGRAM BUTTON** *four times to program "4"*, pause; the unit sounds a "beep."

FREQUENCY CODE "02"		TONE CODE "44"	
1 st digit (pause)	2 nd digit (pause)	1 st digit (pause)	2 nd digit (pause)
"0" (pause)	"2" (pause)	"4" (pause)	"4" (pause)

- When all four digits are programmed, press and release the **PROGRAM SAVE Button**. The unit sounds a triple tone.
NOTE: An error tone sounds if you try to save an incorrect digit. To correct the programming, press and release the **PROGRAM OFF BUTTON**. When the unit sounds a low tone, you may start over at Step #3.
- Press and release the **PROGRAM OFF BUTTON**; the unit sounds a low tone. The OUTPOST is now ready for use.

- NOTES:**
- Ten (10) clicks = 0 (zero).
 - Program "44" to enter "No Tone" for Quiet Call. You must enter "44" to match radios without tone codes.
 - If you make a programming click error, press and

release the **PROGRAM OFF BUTTON** to turn the unit Off, and start over.

- If the unit does not sound the confirming triple tone when you attempt to save your programming, the unit was factory- or dealer-customized to disable programming. Consult the radio owner, or your Dealer.
- Refer to Frequency and Tone Code tables at right and on

the following page.

TABLE 1: FREQUENCY CODES (VHF Business Band)

	Model RQX-150	
	MHz	Frequency Color
01	154.600	Green Dot
02	154.570	Blue Dot
03	151.625	Red Dot
04	151.955	Purple Dot
05	151.925	
06	154.540	
07	154.515	
08	154.655	
09	151.685	
10	151.715	
11	151.775	
12	151.805	
13	151.835	
14	151.895	
15	154.490	
16	151.655	
17	151.745	
18	151.865	

(UHF Business Band)

QUICK TALK FREQ. CODE	Model RQX-450	
	MHz	Frequency Color
01	467.7625	J
02	467.8125	K
03	464.5500	Yellow Dot
04	464.5000	Brown Dot
05	467.8500	Silver Star
06	467.8750	Gold Star
07	467.9000	Red Star
08	467.9250	Blue Star
09	469.2625	
10	462.5750	White Dot
11	462.6250	Black Dot
12	462.6750	Orange Dot
13	464.3250	
14	464.8250	
15	469.5000	
16	469.5500	
17	463.2625	
18	464.9125	
19	464.6000	
20	464.7000	

TABLE 2: QUIET CALL TONE CODES

QUICK TALK QC CODE	Freq. (Hz)	Other Radio Brands Tone Code	QUICK TALK QC CODE	Freq. (Hz)	Other Radio Brands Tone Code
01	67.0	XZ	27	167.9	6Z
02	71.9	XA	28	173.8	6A
03	74.4	WA	29	179.9	6B
04	77.0	XB	30	186.2	7Z
05	79.7	SP	31	192.8	7A
06	82.5	YZ	32	203.5	M1
07	85.4	YA	33	210.7	--
08	88.5	YB	34	218.1	--
09	91.5	ZZ	35	225.7	--
10	94.8	ZA	36	233.6	--
11	97.4	ZB	37	241.8	--
12	100.0	1Z	38	250.3	--
13	103.5	1A	39	69.4	--
14	107.2	1B	40	159.8	--
15	110.9	2Z	41	165.5	--
16	114.8	2A	42	171.3	--
17	118.8	2B	43	177.3	--
18	123.0	3Z	*44	No Tone	--
19	127.3	3A	45	183.5	--
20	131.8	3B	46	189.9	--
21	136.5	4Z	47	196.6	--
22	141.3	4A	48	199.5	--
23	146.2	4B	49	206.5	--
24	151.4	5Z	50	229.1	--
25	156.7	5A	51	254.1	--
26	162.2	5B			

* Use Code "44" to program No Tone for systems without a Coded Squelch Interference Eliminator feature. Refer to Page 4, Step 5 and NOTES at the bottom of the page.

PC PROGRAMMING THE OUTPOST (RQX-150/450/446/454)

If your frequency is not found in Table 1, page 5, the frequency and tone must be programmed with a PC using specialized RITRON Programming Software.

NOTES: Only RITRON dealers have access to programming software. Contact RITRON at 800-USA-1-USA for the location of your nearest Authorized RITRON Dealer.

- Models RQX-150/450 require RPT-PCPK-3.0R19 PC for PC programming.
- Models RQX-454/454-NP require RPT-PCPK-8.0R12 for PC programming.
- Model RQX-446 requires PC software not available at time of printing. Please contact RITRON for further details.

1. Loosen the (4) captive screws in the corners of the RF enclosure. These screws are captive to the housing; to prevent damaging them, Do Not remove the screws from the housing.
2. Lift the top half of the RF enclosure from the bottom.
3. Remove the (4) metal seal screws from the front of the top half of the RF enclosure.
4. Carefully lift the radio assembly away from the inside of the front of the RF enclosure and plug the Programming Cable adaptor into the 3.5mm Jack located on the top of the radio assembly.
5. Execute the Programming Software for the radio on your computer.
6. Make sure the radio has batteries installed or is powered by an external 12 VDC source through the EXPO-12. To turn the unit on, press the ON/PTT button on the front of the unit.
7. Follow the instructions for PC programming the radio according to the software.

When PC Programming:

the **VHF RQX-150** will read out as a model SST-150
 the **UHF RQX-450** will read out as a model SST-450
 the **UHF RQX-446** will read out as a model RQX-446
 the **UHF RQX-454-N** will read out as a model SST-454

WARNING: ONLY FREQUENCY AND TONE INFORMATION should be altered when using the RITRON Programming Software!!! Changes to other features could render the unit inoperable.

8. After the programming is complete and the information has been saved to the radio, unplug the radio from the battery holder or the EXPO-12 and remove the Programming Cable Adaptor.
9. Plug the battery cable or the EXPO-12 Power Connector back into the radio.
10. Carefully place the radio assembly into the front case and secure it with the (4) metal seal screws.
11. Secure the top of the RF enclosure to the bottom of the Callbox with the (4) captive screws.

NOTE: The antenna may be positioned to either side of the RF enclosure.

FACTORY DEFAULT
 | Unit is set for medium volume.
 | Battery saver "Auto Shut-off" is set for 10 seconds.

RQX PROGRAMMING INSTRUCTIONS

Reprogramming the Automatic Shut-off Time

RQX-150/450 Standard and XT Models: Use PC Programming Software RPT-PCPK-3.0R19.

1. Refer to the Owner's Manual for disassembly instructions to PC Program the radio.
2. Execute the Programming Software and go to the Main Menu page.
3. Plug the programming cable into the RQX and power the RQX by pressing the button on the front case.
4. Press "1" to read the RQX information.
5. The RQX-150/-XT will read out as a Model SST-150.
The RQX-450/-XT will read out as a Model SST-450.
6. Use the "down arrow" key or "enter" key to get to the "Access Radio Tech Fields" field.
7. Type "tune!".
8. The cursor should automatically go to the "Battery Saver Off time" field.
9. The factory default time is 10 seconds. Type in the time(in seconds from 1 to 256) for your desired shut-off time.
NOTE: DO NOT type "0" for the "Battery Saver Off Time" unless your RQX has a label marked "314G0158" on the outside of the case. Doing so will render the RQX inoperable. Units that do not have the 314G0158 label do not contain the necessary firmware for the "On all the time " option.
10. Press the "F10" key.
11. Press "2".
12. Wait for the next prompt, press "C".
13. Wait for the "radio programmed ok" message.
12. Remove the power from the RQX and unplug the RQX from the computer.

RQX-454 Standard and XT Model: Use PC Programming Software RPT-PCPK-8.0R12.

1. Refer to the Owner's Manual for disassembly instructions to PC Program the radio.
2. Execute the Programming Software and go to the Main Title Page.
3. Click on "Plus-Series", then click on "Start".
4. Plug the programming cable into the RQX and power the RQX by pressing the button on the front case.
5. Click on "Radio", then click on "Read Radio".
6. The RQX-454 will read out as a Model RQX-454.
7. Click on "Edit", then click on "Tune Radio".
8. Click on "Misc".
9. Click on "Power Saver Off Time", then click on "Tune".
10. To calculate the decimal number for your desired off time, divide your desired time (in seconds) by 32. Round the number to two places past the decimal point.

Example: 10 seconds(factory default) divided by 32 = .31

- NOTE:**
1. The maximum amount of shut-off times is 255 seconds.
 2. **DO NOT** type "0" for the "Battery Saver Off Time" unless your RQX-454 has firmware version 1.14 or later. Doing so will render the RQX inoperable. Units that do not have version 1.14 or later do not contain the necessary firmware for the "On all the time " option. To check, click on "Edit", then click on "Radio ID".
11. Type in your decimal number.
 12. Click on "Save".
 13. Click on "Exit".
 14. Remove the power from the RQX and disconnect the RQX from the computer.

INSTALLING THE OUTPOST

The OUTPOST can be mounted to virtually any surface with four (4) #6 panhead screws. Choose a type of screw thread and screw length which will hold firmly in the surface to which the unit will be mounted.

To Mount the OUTPOST (Refer to FIG-3.)

1. Remove the Front half of the RF housing by loosening the four (4) plastic screws captive to the RF housing. To prevent loss or damage, DO NOT remove these screws.
2. Disconnect the in-line connector between Front and the Back halves of the RF housing.
3. Insert a #6 panhead screw into each of four (4) corner holes in the Back half of the RF housing. Position the RF housing in the chosen location and secure it in place with the screws.
4. Connect the in-line connector between the Front and the Back halves of the RF housing.
5. Fasten the Front half to the Back half of the RF housing with the four (4) captive screws.
6. Insert, rotate and lock the antenna into the antenna jack. Orient the antenna vertically.
7. **If the OUTPOST is to be used outdoors, it is imperative that the antenna connector be sealed with seal tape. Use Grainger #2A-459, Radio Shack #278-1647, or equivalent. Refer to instructions on the seal tape package.**
8. To install the Message Placard, align the center of its hole over the ON/PTT pushbutton, and the mushroom-head fastener strips on the back of the placard panel with the strips on the front of the OUTPOST. Press firmly to interlock the strips, snapping the panel into position.

Coverage

Depending on unit location and installation height of a standard antenna, the OUTPOST covers the area of a 1-Watt portable radio of the same frequency band. To increase range, use an external antenna that is mounted higher. See the RAM-1545 Magnet Mount Antenna on page *ii*.

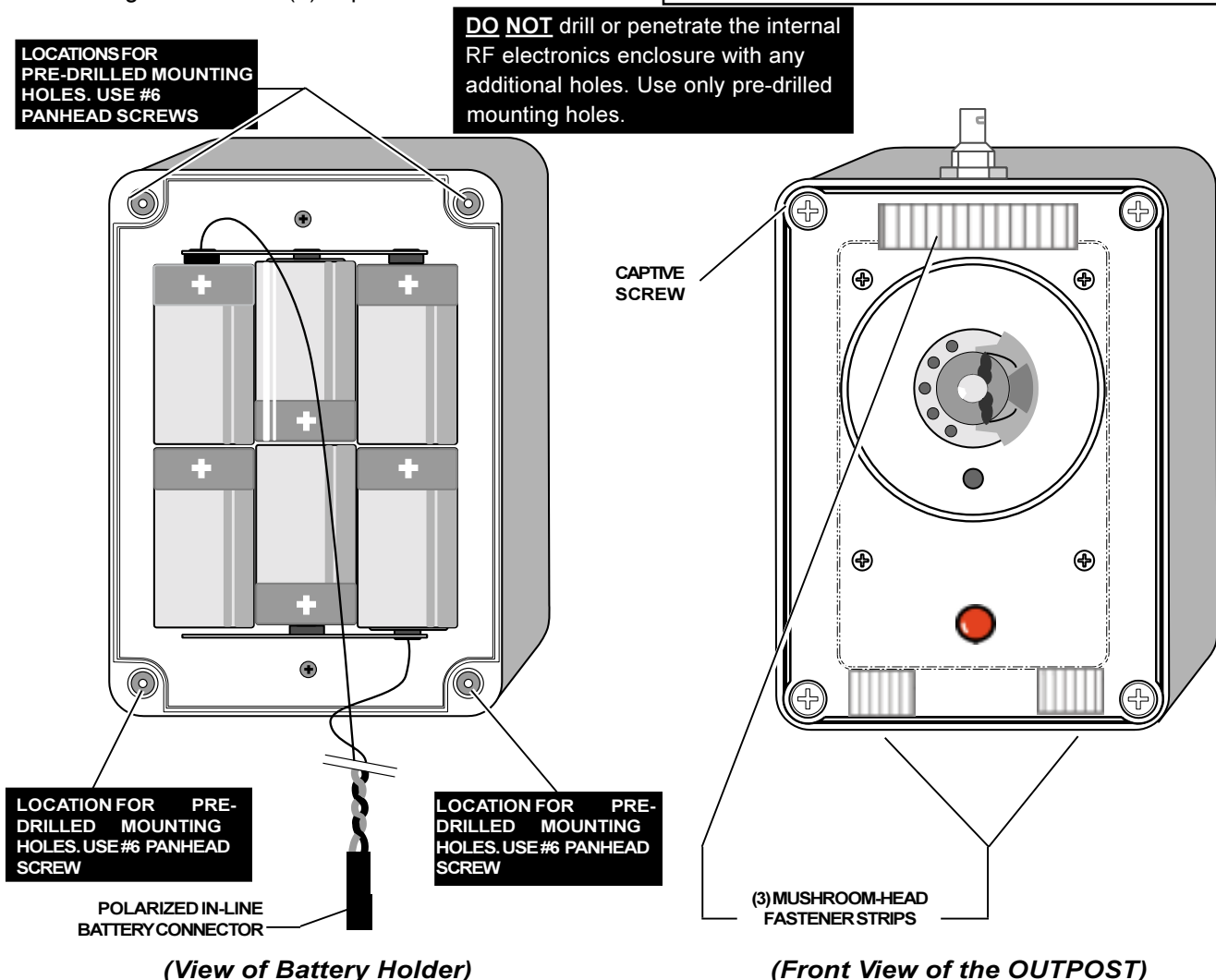


FIG-3: INSTALLING THE OUTPOST

EXPO-12 EXTERNAL POWER 12VDC INPUT/ BATTERY BACK-UP KIT (OPTIONAL)

The EXPO-12 is an 11–16 VDC External Power/ Battery Back-up circuit designed to power the 2-Way Radio Transceiver in the RQX OUTPOST Callbox. It also includes battery back-up as a standard feature. A 12 VDC, 1.5 Ampere power supply IS NOT included in the EXPO 12.

The battery back-up enables the OUTPOST to continue operating for a period of 8 hours talk time if external power is interrupted. Either non-rechargeable Alkaline or Lithium, or rechargeable Ni-cd batteries can be used.

By moving jumper PJ101 on the EXPO-12 Board, rechargeable batteries can be trickle-charged until needed. Refer to FIG-4 below, Jumper Position "A". DO NOT attempt to charge Alkaline batteries.

Back-Up Battery Installation

1. Remove the four (4) #4 screws securing the metal plate covering the battery holder.
2. Install the desired battery cells, rechargeable or non-rechargeable (see Notes below and at right). Match polarities of the battery cells to the Battery Holder, as shown below in FIG-4.

- NOTES:**
- I For rechargeable batteries, use ONLY AA-size Ni-cd (Nickel Cadmium) cells.
 - I For non-rechargeable batteries, use ONLY AA-size Alkaline or Lithium cells.
 - I DO NOT USE Nickel Metal Hydride cells.

3. Place the jumper over the correct two PJ101 pins for the batteries you are using (rechargeable or non-rechargeable). See PJ101 location below.

NOTES: When the OUTLOOK has rechargeable batteries installed, place the PJ101 jumper in position "A".

When the OUTLOOK has non-rechargeable batteries installed, to prevent damaging the batteries, place the PJ101 jumper in the position "B", over two pins.

4. Reinstall the metal plate removed in Step 1; secure it with the four (4) #4 screws.

DO NOT drill or penetrate the internal RF electronics enclosure with any additional holes. Use only pre-drilled mounting holes.

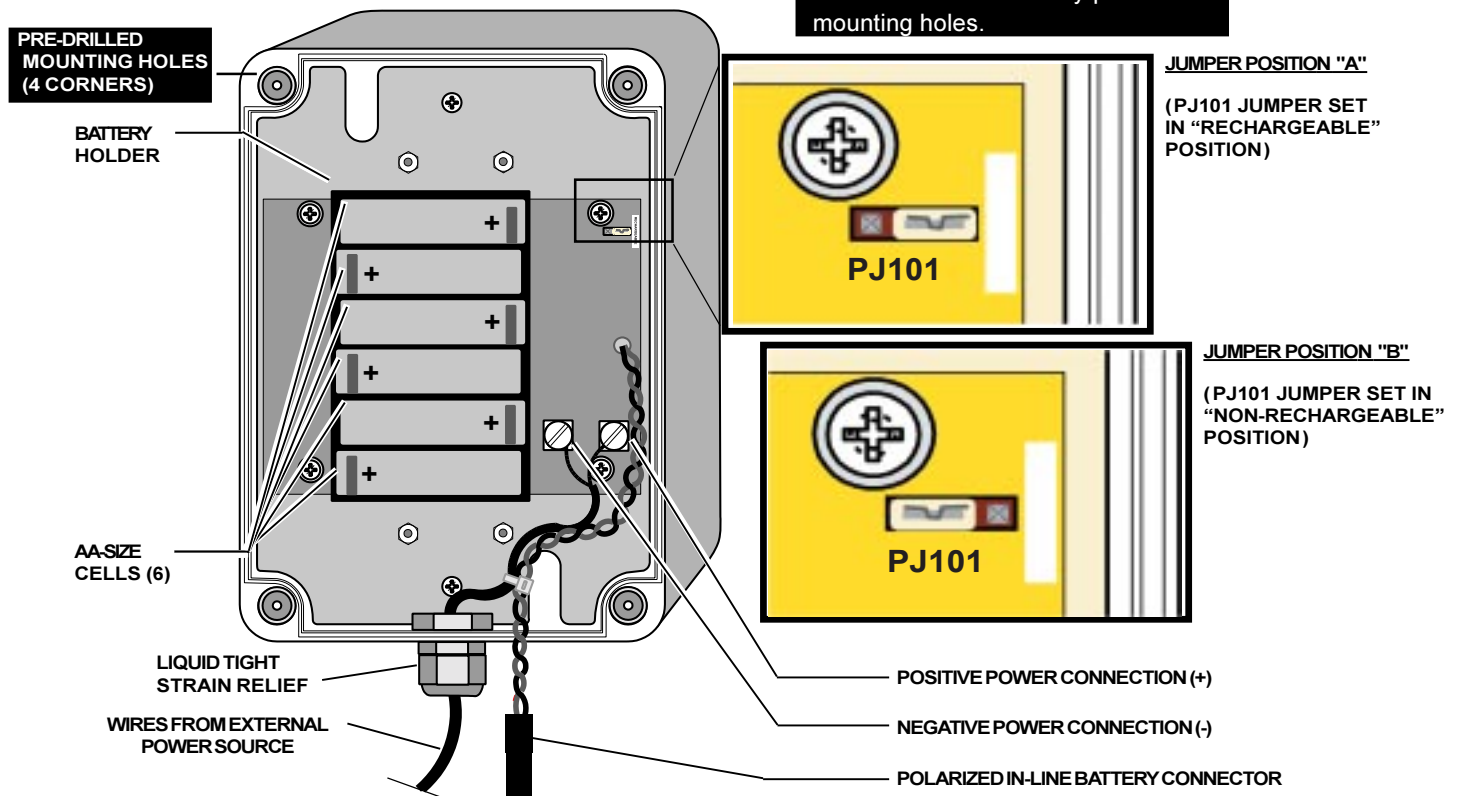


FIG-4: INTERNAL VIEW OF EXPO-12 (COVER PLATE NOT SHOWN)

HOW TO PROPERLY SEAL THE ANTENNA

1. **DO NOT** drill or penetrate this enclosure. Use only the pre-drilled mounting holes located in each of the four corners of the bottom half of the enclosure. Take care when re-assembling the enclosure. Be sure to carefully seat the recessed area and gasket of the top half with the bottom half. **DO NOT** pinch gasket, over tighten, cross-thread, strip or remove captive screws.
2. **Antenna** - The product comes standard with a flex antenna (Model AFB-1545) with a BNC connector. This antenna will provide approximately ½ mile or more range in line-of-sight conditions with no-obstacles.

Optional Antennas – The Ritron model RAM-1545 magnet mount antenna can be used to increase range. Be advised that the magnet mount antenna **MUST** be attached to a magnetic ground plane (metal) to function properly.

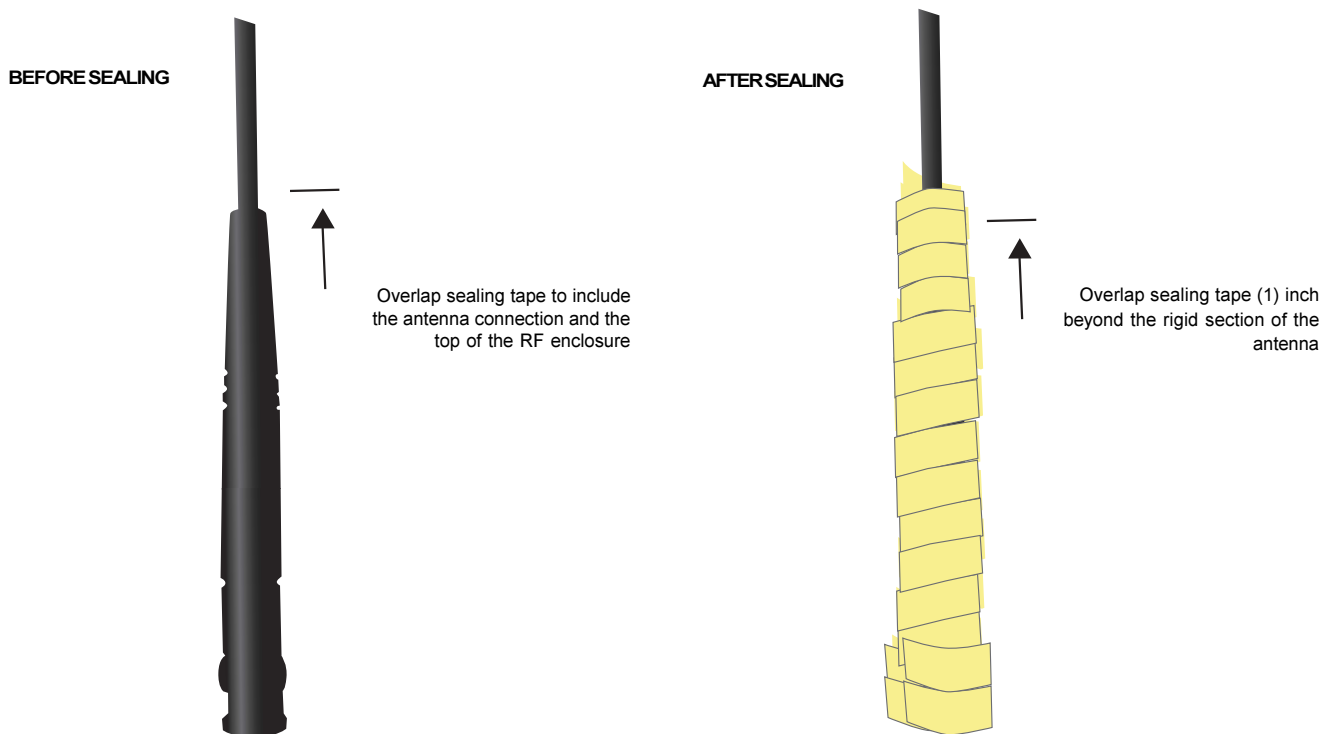
SEALING THE ANTENNA - If the product is to

be used outdoors it is imperative that the entire antenna connection be sealed with seal tape to provide proper operation and prevent voiding warranty.

Regardless of the antenna you use, it is always best to weatherproof the antenna connection using seal tape.

Applying Seal Tape:

1. Attach the antenna to the connector on the OUTPOST RF enclosure.
2. Begin wrapping seal tape at base of antenna connector such that the base of the antenna is sealed against the enclosure top.
3. Overlap the seal tape as you wrap upward around the connector and antenna. Continue to overlap seal tape around the connector base, past the articulating portion of the antenna and several inches up the thin, shiny section of the antenna.



Seal tape can be purchased at most Industrial & Contractor Supply Stores, Hardware and Home Center Stores or Electronic Supply Stores.

NOTICE:

Failure to follow these instructions will cause damage to the product, prevent proper sealing of the enclosure and will void the **Manufacturers Warranty**.

F.C.C. LICENSING AND REGULATIONS

The Rules and Regulations of the United States Federal Communications Commission (FCC) require you or your radio service provider to have a license for your radio system before activating the **OUTPOST** radio transmitter. If you already are operating a licensed radio system, you probably can add a **OUTPOST** without any changes to that license.

The station licensee is responsible for ensuring that transmitter power, frequency and modulation are within the limits specified by the station license, and also for proper operation and maintenance of the radio equipment. These responsibilities include checking the transmitter frequency and modulation periodically, using appropriate methods.

Ritron or your Ritron Dealer can assist you with all these requirements. You may also contact the FCC directly by any of the following methods:

To obtain copies of FCC forms and instructions use the FCC Fax-On-Demand system at **202-418-0177**. Request Document 000600.

For more information, go to the FCC Internet Website at:
< <http://www.fcc.gov> >

- DO NOT allow the antenna to come very close to, or to touch exposed parts of the body, especially the face or eyes, while transmitting.
- DO NOT transmit near electrical blasting caps or in an explosive atmosphere.
- DO NOT allow children to play with radio transmitters.
- BE AWARE of the conditions which cause the unit to transmit.

SERVICE - Federal law prohibits you from making any internal adjustments to the transmitter, and from changing transmit frequencies unless you are specifically designated by the licensee.

DO NOT ADJUST OR TAMPER with components or the printed circuit board in any manner not directed in this manual. Unauthorized adjustments may render the unit inoperable; repair will be at owner's expense.

If your radio equipment fails to operate properly, or if you wish to have the radio serviced, contact your authorized dealer, or call Ritron at 317-846-1201 and ask for the Repair Department.

SAFETY STANDARDS — The FCC has adopted a safety standard for human exposure to radio frequency electromagnetic energy emitted by FCC regulated equipment. The Quick Talk conforms to the standards effective at the time of its equipment authorization by the FCC. In general these standards recommend that you:

RITRON, INC. LIMITED WARRANTY

WHAT THIS WARRANTY COVERS: RITRON, INC. ("RITRON") provides the following warranty against defects in materials and/or workmanship in **RITRON RQX-150, RQX-450, RQX-446, AND RQX-454** Wireless Callbox units under normal use and service during the applicable warranty period, as stated below. "Accessories" means antennas, wire, cable and items contained in the programming and programming/service kits.

WHAT IS COVERED	FOR HOW LONG	WHAT RITRON WILL DO
OutPost Callboxes	1 year *	During the first year after date of purchase, RITRON will repair or replace the defective product, at RITRON's option, parts and labor included at no charge.
Accessories/Antennas	90 days *	* After date of purchase

WHAT THIS WARRANTY DOES NOT COVER:

- Any technical information provided with the covered product or any other products;
- Installation, maintenance or service of the product, unless this is covered by a separate written agreement with RITRON;
- Any products not furnished by RITRON which are attached or used with the covered product, or defects or damage from the use of the covered product with equipment that is not covered;
- Defects or damage, including broken antennas, resulting from:
 - misuse, abuse, improper maintenance, alteration, modification or modification to any housing, neglect, accident or act of God, or,
 - the use of covered products other than in normal and customary manner, or,
 - improper testing or installation;
- Defects or damages from unauthorized disassembly, repair or modification, or where unauthorized disassembly, repair or modification prevents inspection and testing necessary to validate warranty claims;
- Defects or damages in which the serial number has been removed, altered or defaced.

IMPORTANT: This warranty sets forth the full extent of RITRON's express responsibilities regarding the covered products, and is given in lieu of all other express warranties. What RITRON has agreed to do above is your sole and exclusive remedy. No person is authorized to make any other warranty to you on behalf of RITRON. Warranties implied by state law, such as implied warranties of merchantability and fitness for a particular purpose, are limited to the duration of this

limited warranty as it applies to the covered product. Incidental and consequential damages are not recoverable under this warranty (this includes loss of use or time, inconvenience, business interruption, commercial loss, lost profits or savings). Some states do not allow the exclusion or limitation of incidental or consequential damages, or limitation on how long an implied warranty lasts, so the above limitations or exclusions may not apply to you. Because each covered product system is unique, RITRON disclaims liability for range, coverage, or operation of the system as a whole under this warranty.

WHO IS COVERED BY THIS WARRANTY: This warranty is given only to the purchaser or lessee of covered products when acquired for use, not resale. This warranty is not assignable or transferable.

HOW TO GET WARRANTY SERVICE: To receive warranty service, you must deliver or send the defective product, delivery costs and insurance prepaid, within the applicable warranty period, to **RITRON, INC., 505 West Carmel Drive, Carmel, Indiana 46032, Attention: Warranty Department**. Please point out the nature of the defect in as much detail as you can. You must retain your sales or lease receipt (or other written evidence of the date of purchase) and deliver it along with the product. If RITRON chooses to repair or replace a defective product, RITRON may replace the product or any part or component with reconditioned product, parts or components. Replacements are covered for the balance of the original applicable warranty period. All replaced covered products, parts or components become RITRON's property.

RIGHTS TO SOFTWARE RETAINED: Title and all rights or licenses to patents, copyrights, trademarks and trade secrets in any RITRON software contained in covered products are and shall remain in RITRON. RITRON nevertheless grants you a limited non-exclusive, transferable right to use the RITRON software only in conjunction with covered products. No other license or right to the RITRON software is granted or permitted.

YOUR RIGHTS UNDER STATE LAW: This warranty gives you specific legal rights, and you may also have other rights which vary from state to state.

WHERE THIS WARRANTY IS VALID: This warranty is valid only within the United States, the District of Columbia and Puerto Rico.

Complete Wireless Communication Solutions From

Ritron - We Build Wireless Solutions

For nearly 3 decades Ritron has been designing, manufacturing, and supplying reliable, professional wireless communication products for users worldwide. Ritron wireless products will improve the operation, safety, and profitability of any organization by providing instant voice communication between key employees throughout the workplace.



Portable Radios

Communicate with multiple workgroups instantly with a push-of-the-button. Rugged and lightweight with built-in weather scan (VHF models only) automatically finds NOAA broadcasts. Other features include Interference Eliminator, Loud and Clear Audio, Removable Quick Swap Battery, and Drop-in Charging Capability.

Accessories

Ritron offers a wide variety of headsets, earsets, remote speaker microphones, multi-unit chargers, and carry holsters to meet all your wireless communication needs.



Wireless Intercom/Two-way Base Station Monitor

110 VAC or 12 VDC desktop or wall mountable radio that is compatible with any VHF/UHF radio system. Includes built-in Weather Scan (VHF models only), loud audio output for noisy locations, built-in microphone with automatic gain control, and rugged metal housing. Optional Public Address (PA) modification available.

Ideal for in-plant • schools • retail stores • jobsite vehicles • community repeater systems, loading docks • construction trailers or anywhere that fixed two-way communication is needed.

The Leader in Workplace Two-Way Radio Systems

Wireless Radio Callboxes

Battery-operated (6 alkaline "D" cells) callboxes, available in basic or rugged models, provide instant wireless communication over existing two-way radio systems without costly trenching, extensive wiring, or dedicated phone lines.

Ideal for Hotels/Motels • Golf Courses • Schools, Public Parks • Playgrounds • Roadsides • Marinas • Parking Lots or Garages • Receiving or Delivery Docks • Campuses • Shopping Malls • Beachs and Pools • Campgrounds and Hiking Trails • Unattended Gates.



two-way callbox

one-way callbox

Wireless Alert Monitoring

No need to run wires, phone lines, or pay a person for 24/7 monitoring. The low-cost, battery-operated (6 alkaline "AA" cells) Quick Talk Alert permits wireless monitoring of virtually any sensor or switch from a two-way radio. When the switch opens or closes, a user recordable "custom" voice message is automatically transmitted to all radios on the same channel frequency.

Ideal for remote monitoring of • power failures • liquid levels • intrusion or tampering • temperature sensing • unattended doors to name only a few of the 1000s of applications.



CARE AND MAINTENANCE

MOISTURE

When antenna sealing recommendations are followed, the OUTPOST is highly weather resistant in outdoor environments. Do not immerse the unit in water.

TEMPERATURE

The OUTPOST is designed to operate between -22° and +140° F. Like all electronic equipment, the OUTPOST should not be subjected to extreme heat. A shaded area is an ideal outdoor location.

VIBRATIONS/ SHOCK

Though the OUTPOST is designed to be rugged, it cannot be expected to survive extreme abuse. An optional Tamper-Resistant Cover is available.

CHEMICALS

Do not use harsh, corrosive or abrasive chemicals to clean the OUTPOST case; use only a cloth moistened with water. Do not attempt to clean the printed circuit boards inside the enclosure.